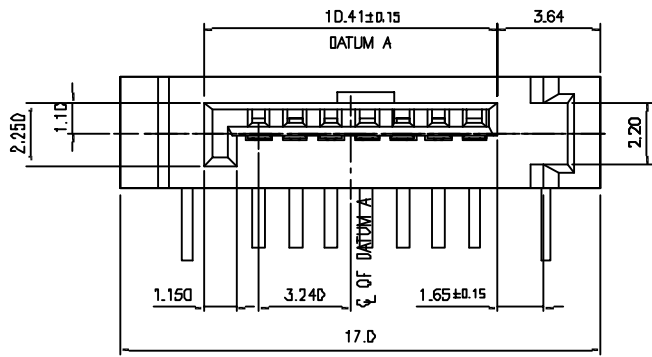


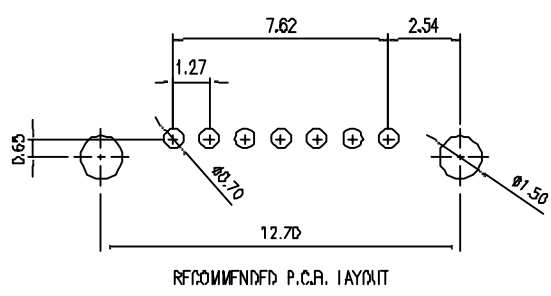
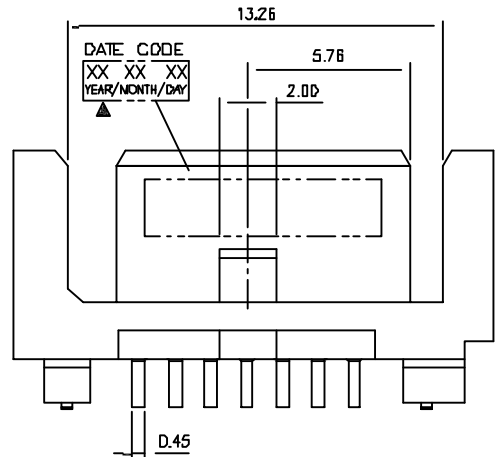
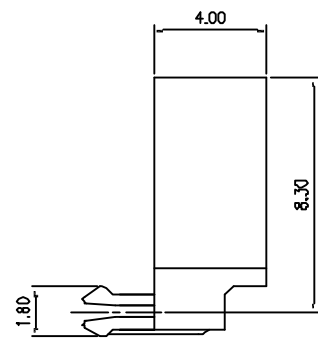
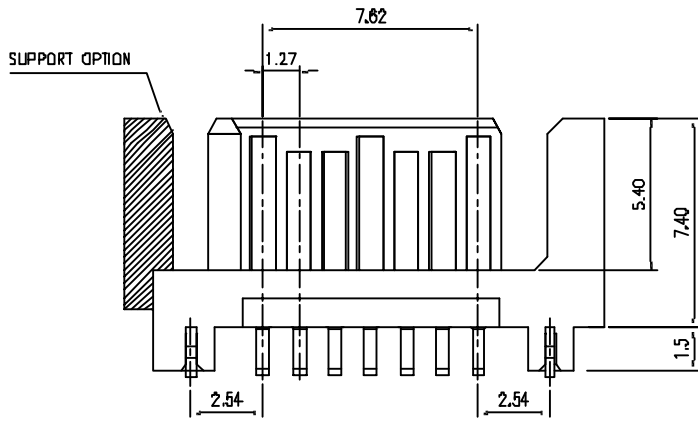
PART NO. CA-07SAHPR-X-1-1

REVISIONS			
LTR	DESCRIPTION	DATE	APPROVED
A	INITIAL RELEASE SEE ECN E9207010	07/14/03'	N/A
B	CHANGE E031021H160	10/21/03'	Robbie
C	SEE ECN E9211004	11/06/03'	Robbie



NO. OF POS. _____
 SATA PLUG R/A DIP _____
 PLATING: _____
 A=GOLD FLASH CONTACT AREA.
 C=15u" GOLD CONTACT AREA.
 F=30u" GOLD CONTACT AREA
 PROFILE _____
 0=SMT
 1=DIP
 0=EXTEND HEIGHT
 1=STD.

NOTES:
 1.UNLESS OTHERWISE SPECIFIED,ALL TOLERANCES FOLLOW DRAWING COMMON STANDARD.
 2.MATERIAL OF COMPONENTS:
 INSULATOR :L.C.P.+30% GLASS REINFORCED.
 CONTACT:PHOSPHOR BRONZE
 3.BURRS 0.08mm MAXIMUM ALLOWED.
 4.WARP 0.15mm MAXIMUM ALLOWED.



DIMENSIONS ARE IN INCH TOLERANCES ARE: DECIMALS ANGLES .XX ± .010 ± 3' .XXX ± .005	APPROVALS DRAWN Eva Huang 11/06/03' CHECKED Robbie Luo 11/13/03'		CA CIRCUIT ASSEMBLY ASIA TITLE. SATA 7 POS. R/A DIP PCB MOUNT CONNECTOR
	THE INFORMATION AND DESIGN DISCLOSED HEREIN WAS ORIGINATED BY AND IS THE PROPERTY OF CIRCUIT ASSEMBLY ASIA. CIRCUIT ASSEMBLY ASIA RESERVES ALL PATENT, PROPRIETARY DESIGN, MANUFACTURING, REPRODUCTION USE AND SALES RIGHTS THERETO, AND TO ANY ARTICLE DISCLOSED HEREIN EXCEPT TO THE EXTENT RIGHTS ARE EXPRESSLY GRANTED TO OTHERS. THE FOREGOING DOES NOT APPLY TO VENDOR PROPRIETARY RIGHTS.		
DIMENSIONS IN BRACKETS [X.XX] ARE IN MILLIMETERS TOLERANCES ARE: DECIMALS ANGLES .X ± .25 ± 3' .XX ± .13	SCALE: 1/1	SHEET: 1 OF 1	DRAWING NO. T610182 REV. C FILE PATH: EVA.CONN.CAT.T610182