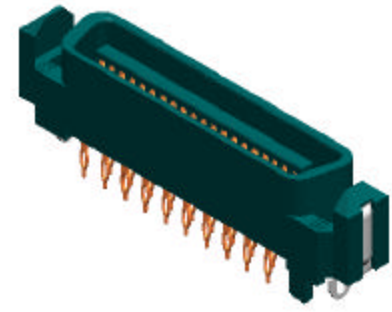
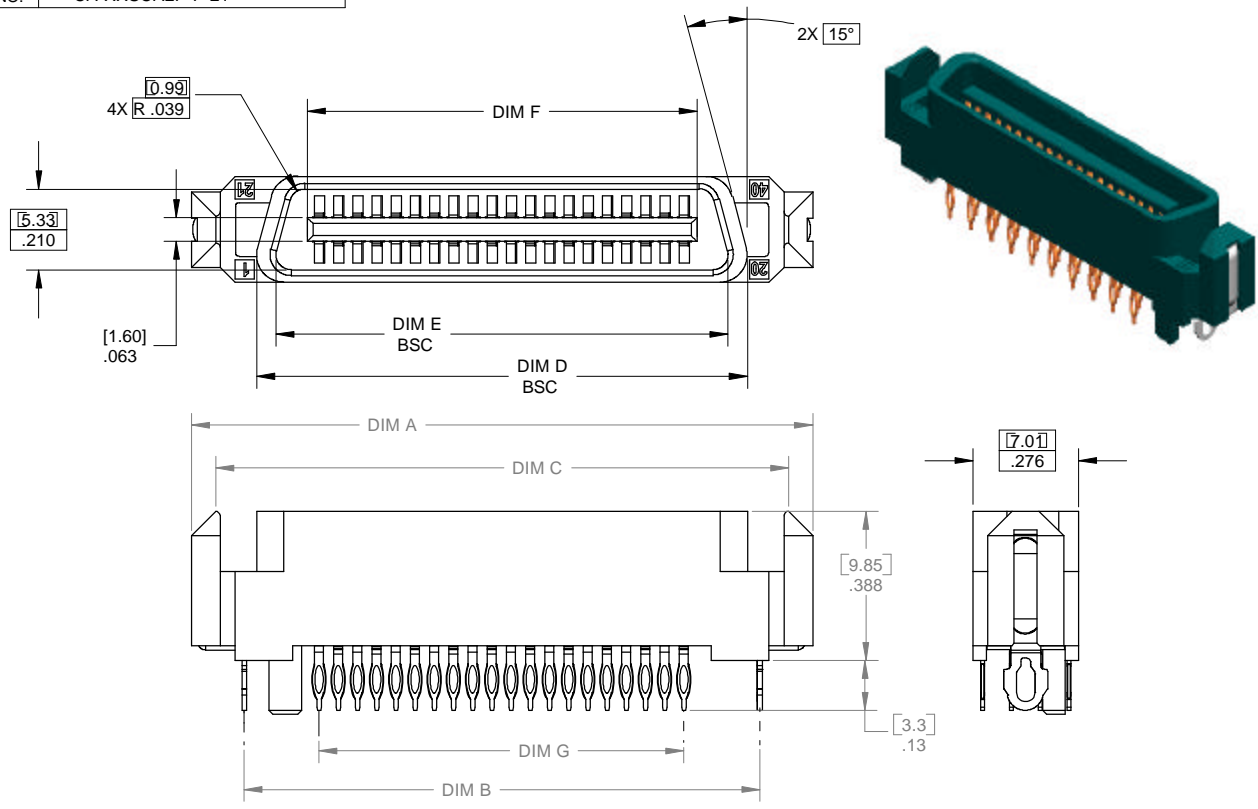


PART NO. CA-XXSCA2P-F-21

REVISIONS				
LTR	DESCRIPTION	DATE	APPROVED	
A	INITIAL RELEASE SEE DO 4750	AJ 02-01-02	L.F.	
B	SEE DO 4991	CP 10-02-02	A.J.	
C	SEE DO 5146	CP 04-08-03	A.J.	



CA-XXSCA2P-F-21

NO. OF PIN POSITIONS: 40
80

SINGLE CONNECTOR ATTACHMENT PLUG:

PLATING:

CONTACT:
F = MATING AREA : .000030 [.00076] GOLD
TAIL AREA : .000150 [.00381] TIN/LEAD
UNDERPLATE : .000050 [.00127] NICKEL

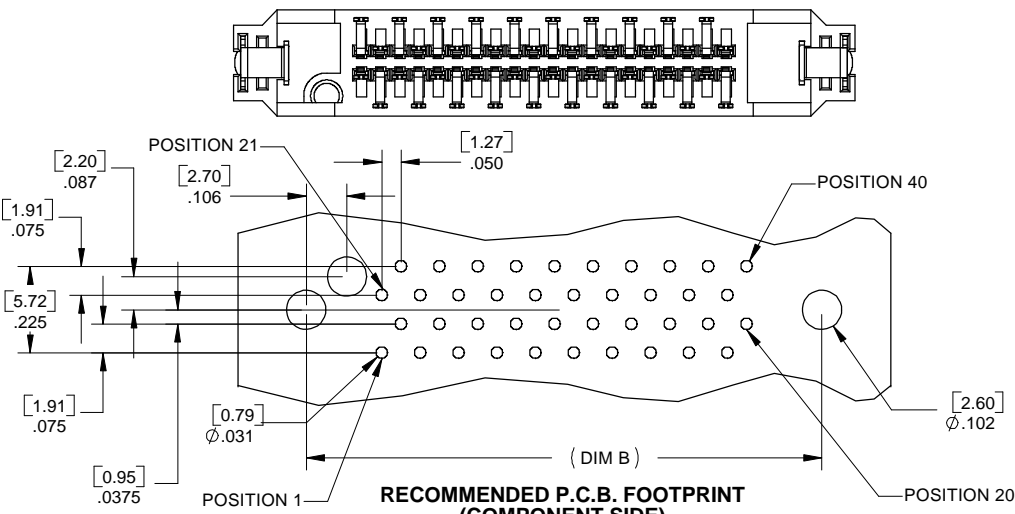
CLIP: .000150 [.00381] TIN/LEAD OVER
.000050 [.00127] NICKEL

TAIL CONFIGURATION:
PRESS FIT .13 [3.3] LONG TAIL

SPECIFICATIONS:
CONFORMS TO SFF-8451 SPECIFICATIONS FOR SCA-2 UNSHIELDED CONNECTORS

- MECHANICAL
- MATING FORCE : 90g MAX. PER CONTACT
 - UNMATING FORCE : 15g MIN. PER CONTACT
 - DURABILITY : 500 CYCLES MINIMUM
 - CONTACT MATERIAL : PHOSPHOR BRONZE
 - INSULATOR MATERIAL : HIGH TEMPERATURE THERMOPLASTIC
BLACK, UL94V-0
 - CLIP MATERIAL : BRASS
 - CONTACT PLATING:
MATING AREA : 0.00076 [30uin] GOLD
TAIL AREA : 0.0038 [150uin] TIN/LEAD
UNDERPLATE : 0.0013 [50uin] NICKEL
 - CLIP PLATING : 0.0038 [150uin] TIN/LEAD OVER
0.0013 [50uin] NICKEL

- ENVIRONMENTAL
- TEMPERATURE RANGE : -55°C TO 105°C
- ELECTRICAL
- VOLTAGE RATING : 250V AC
 - DIELECTRIC WITHSTANDING VOLTAGE : 500V DC FOR 1 MIN.
 - INSULATOR RESISTANCE : >1000 MEGOHMS @ 250 Vrms
 - CONTACT RESISTANCE : <35 MILLIOHMS
 - CURRENT RATING : 1 AMP



RECOMMENDED P.C.B. FOOTPRINT (COMPONENT SIDE)

TABULATION

NO. OF POSITIONS	A		B		C		D		E		F		G	
	in.	mm.	in.	mm.	in.	mm.	in.	mm.	in.	mm.	in.	mm.	in.	mm.
40	1.618	41.10	1.343	34.11	1.492	37.90	1.278	32.46	1.176	29.87	1.015	25.78	0.950	24.13
80	2.618	66.50	2.343	59.51	2.492	63.30	2.278	57.86	2.176	55.27	2.015	51.18	1.950	49.53

DIMENSIONS ARE IN INCHES TOLERANCES ARE:
DECIMALS ANGLES
.XX ±.01 ±3°
.XXX ±.005

DIMENSIONS IN BRACKETS [X.XX] ARE IN MILLIMETERS TOLERANCES ARE:
DECIMALS ANGLES
.X ±.25 ±3°
.XX ±.13

DO NOT SCALE DRAWING

APPROVALS	DATE
DRAWN A. JOCHEN	2-1-02
CHECKED L. FONG	2-1-02

CA CIRCUIT ASSEMBLY CORP.
18 THOMAS ST., IRVINE, CALIFORNIA 92618-2777

CONNECTOR ASSEMBLY - PLUG		SCA2 SERIES		REV.
SIZE	CODE IDENT NO.	DRAWING NO.		
C	52072	620439	C	
SCALE: 4:1		SHEET 1 OF 1		